

# Technical Datasheet

## JN Monoxide Panels

Product Category:

**Panels**

---

SKU:

**JN1/JN2**

### Description

JN is a microprocessor-based carbon monoxide detection panel designed in accordance with the requirements of the EN54 standards.

JX panels provide monitoring and event reporting for installations with up to two carbon monoxide zones, accessible directly from the panel itself and via the VISOR app.

They are designed for installation in garages and can incorporate EHOX analog CO detection devices in the zone, offering full connectivity with the NUSKU platform for additional services.

JN panels can be integrated into the EH-SYNC network without the need for additional cards.

### Variants



COMPAC BOX  
JN1



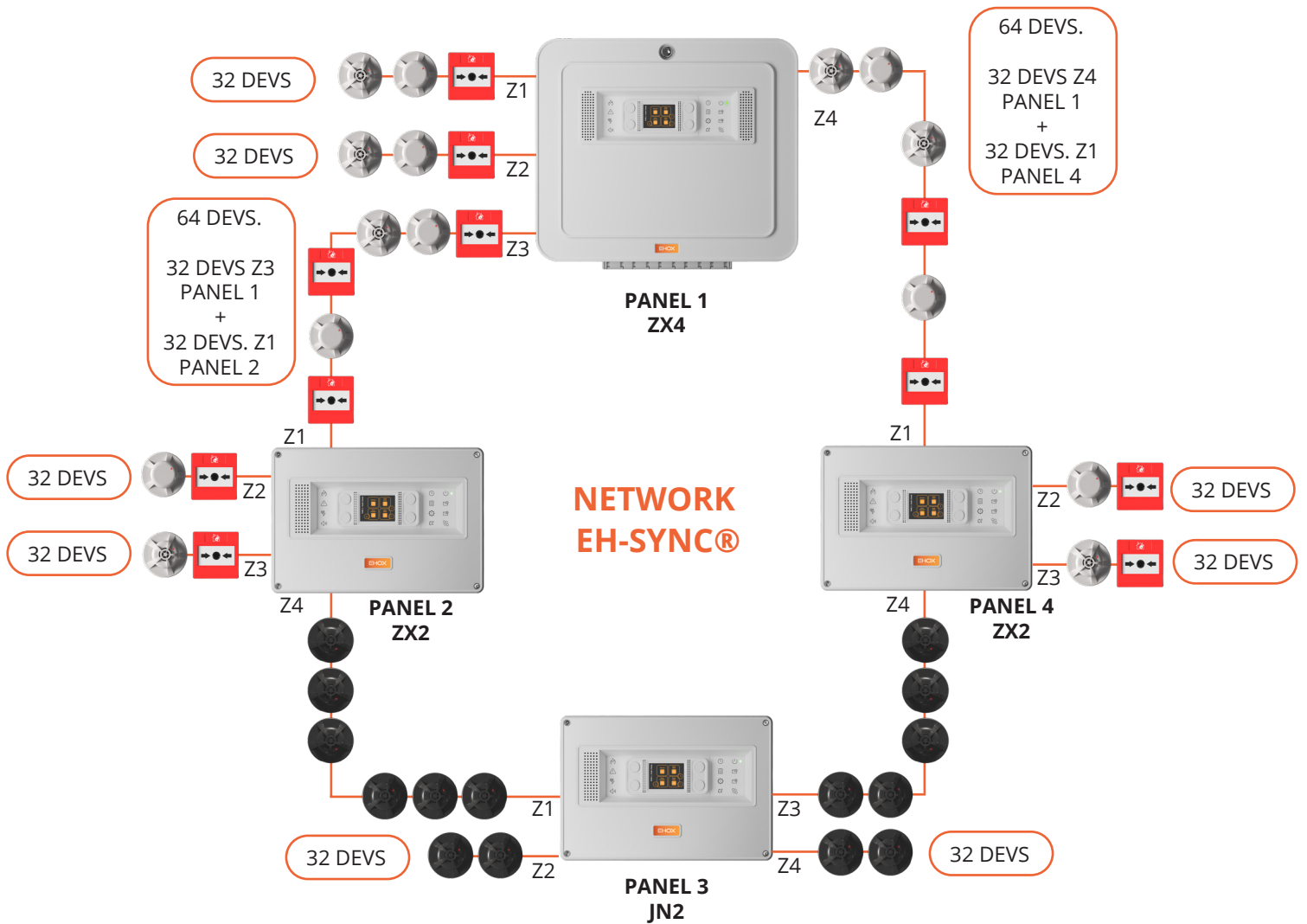
COMPAC BOX  
JN2

### Features

JN panels can support 1 zone (JN1) and 2 zones (JN2), with up to 16 elements per zone. The panel offers the following standard features:

- ✓ 2 programmable inputs/outputs.
- ✓ 2 relay outputs, alarm, and fault.
- ✓ USB port and Bluetooth connectivity for programming.

- ✓ Ethernet port for remote programming, integrations, and communication with the Nusku® platform.
- ✓ Wi-Fi communication for remote connection and communication with the Nusku® platform.
- ✓ 4G communication via module (optional) for remote connection and communication with the Nusku® platform.
- ✓ 2.7" multilingual TFT touchscreen.



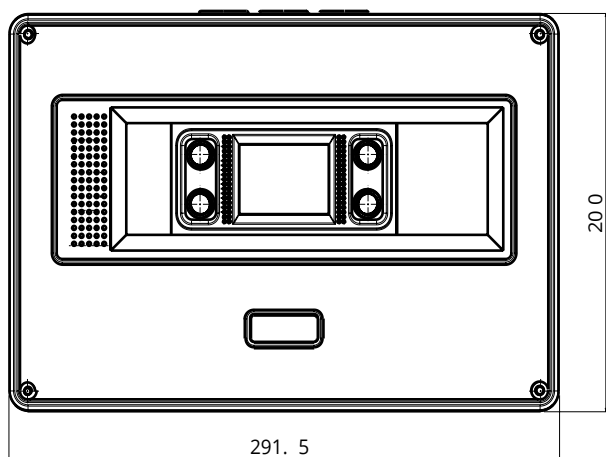
EH-SYNC® embodies EHOX’s innovation in fire protection, offering a smarter and more efficient way to advance fire detection systems.

They must be installed in accordance with the mandatory Fire Detection System Installation Standards.

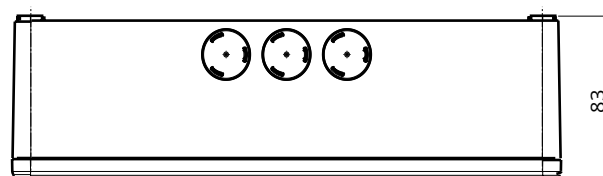
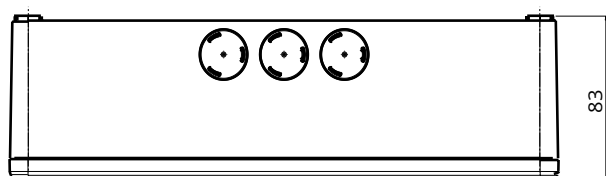
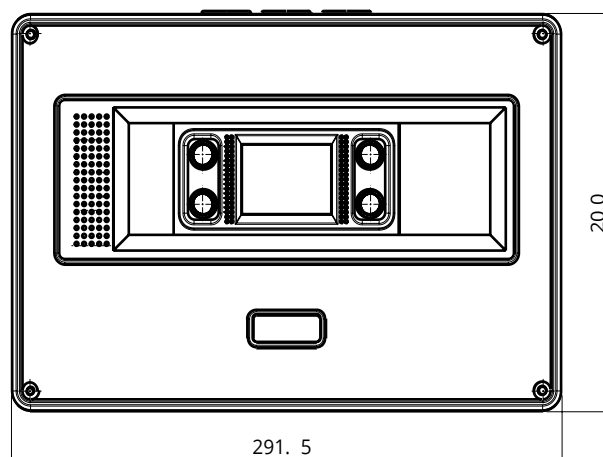
## Technical Specifications

<b>Dimensions</b>	200mm X 290mm X 80mm
<b>Weight</b>	1,2 Kg
<b>Structure</b>	White ABS plastic box RAL 9010
<b>Mounting holes</b>	1 hole per corner on the bottom
<b>Cable entries</b>	3 openings with plugs on the top
<b>Panel operating voltage</b>	230 Vca 50Hz +/- 10%
<b>Power supply fuse</b>	2A 250V
<b>Battery charger output voltage</b>	28Vcc at 20°C
<b>Programmable auxiliary outputs</b>	24Vcc ± 20%, 300mA
<b>Power supply output</b>	24 Vcc. 50W
<b>Batteries</b>	2x 12Vcc-2,2Ah
<b>Max. loop voltage</b>	28 Vcc
<b>Max. loop current</b>	52 mA
<b>Max. loop cable length</b>	1,5 Km
<b>Max. number of devices per loop</b>	16
<b>RFL siren outputs</b>	20KΩ
<b>Alarm resistance</b>	5K6Ω
<b>Climate clasification</b>	3K5, (IEC 721-2-3)
<b>Operating temperature</b>	0°C to +40°C
<b>Relative humidity</b>	5% to 95% non-condensing
<b>Ingress protection</b>	IP30 (EN60529)
<b>Certifications</b>	UNE 23300

## Dimensions JN1



## Dimensions JN2



## Devices compatible with JN panels

- Analog CO Detector (JNC)
- 4G Communications Module (W4G)
- 4G Voice and Data Communications Module (W4GV)
- 4G Voice and Data Communications Module (W4GV)